



**Part no.: 540350**  
**BT-SET-240BC-E**  
**Mounting bracket set**

Figure can vary

## Contents

- . Technical data
- . Set consists of
- . Dimensioned drawings





Part no.: 540350 – BT-SET-240BC-E – Mounting bracket set

## Technical data

<b>Basic data</b>	
Suitable for	MLD 500, MLD 300 multiple light beam safety devices
<b>Mechanical data</b>	
Type of fastening, at system	Through-hole mounting
Type of fastening, at device	Clampable
Type of mounting device	Turning, 240°
Mounting device material	Plastic Metal
<b>Classification</b>	
eCl@ss 8.0	27279202
eCl@ss 9.0	27273701

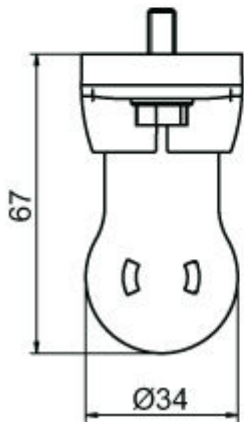
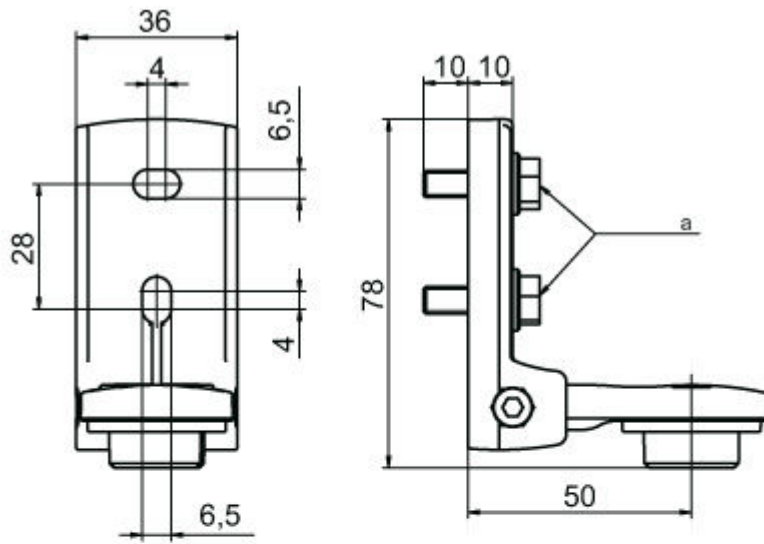
## Set consists of

	Quantity	Part no.	Designation	Article	Description
	1	540357	BT-SET-240B-E	Mounting bracket	Mounting bracket, at system: Through-hole mounting Mounting bracket, at device: Clampable Type of mounting device: Turning, 240° Material: Metal, Plastic
	1	540354	BT-SET-240C-E	Mounting bracket	Mounting bracket, at system: Through-hole mounting Mounting bracket, at device: Clampable Type of mounting device: Turning, 240° Material: Metal, Plastic

## Dimensioned drawings

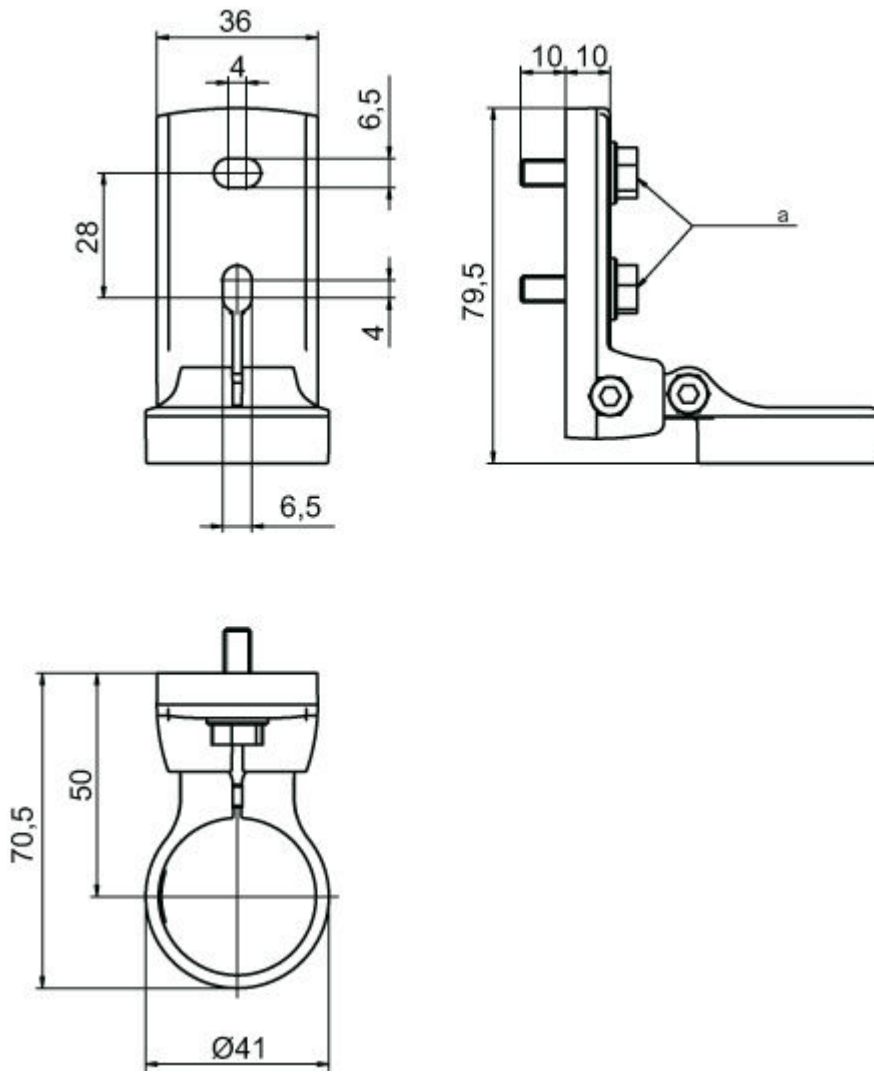
All dimensions in millimeters

BT-SET-240B-E swivel mount



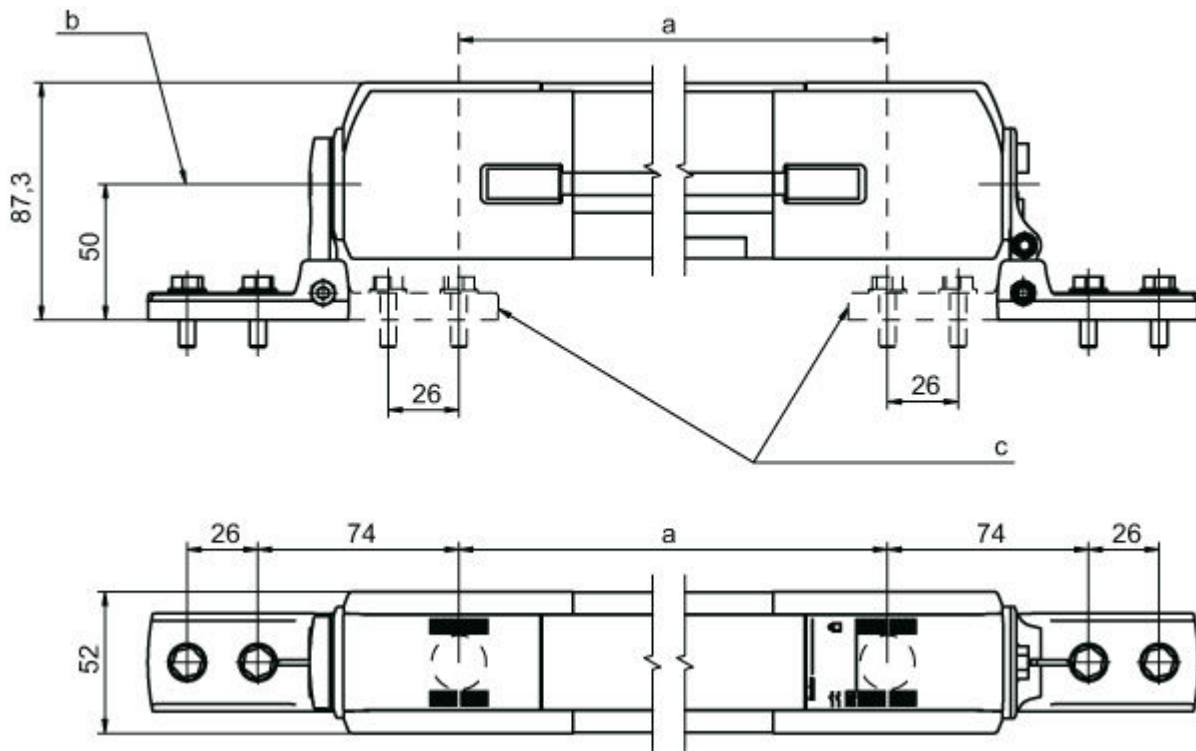
a M6 screw

BT-SET-240C-E swivel mount



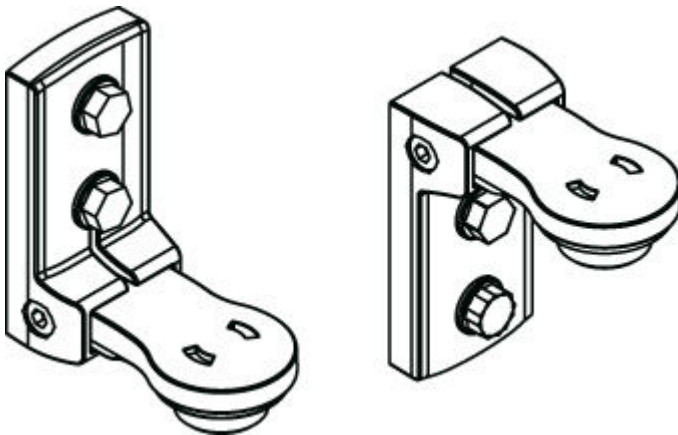
a M6 screw

Mounting dimensions



- a Beam spacing
- b Swivel axis
- c Alternative mounting variant

Mounting variants



Mounting variants

